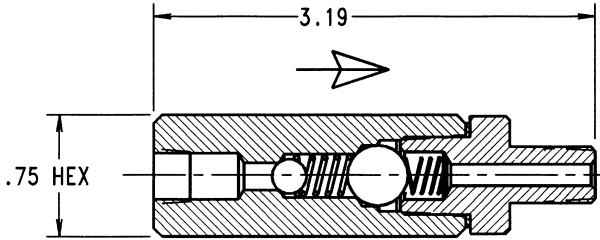


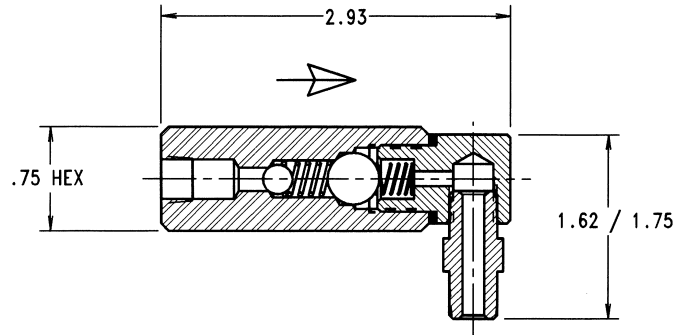
# PREMIER®

Fred C. Gilbert Co.  
 106 Norris Road  
 Bakersfield, Ca. 93308  
 Ph (661) 399-9569 \* Fax (661) 399-9569

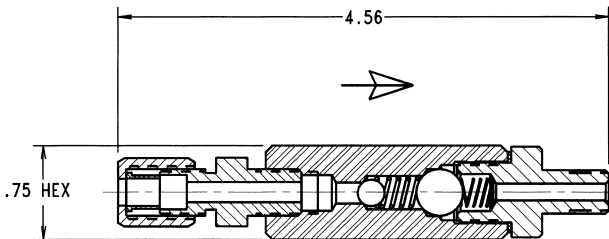
## Check Valve Data Sheet



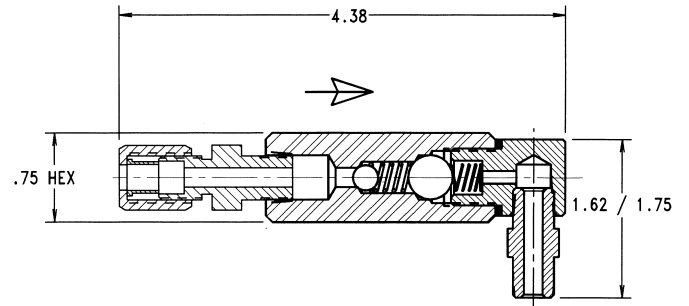
Part No.	Max Psi	Inlet	Outlet	Material
90023	8000	1/8" Npt	1/8" Npt	Steel
90024	8000	1/4" Npt	1/4" Npt	Steel
90254	8000	1/8" Npt	1/4" Npt	Steel
90255	8000	1/4" Npt	1/8" Npt	Steel
90025	8000	1/8" Npt	1/8" Npt	Stainless
90026	8000	1/4" Npt	1/4" Npt	Stainless
90291	8000	1/8" Npt	1/4" Npt	Stainless
90290	8000	1/4" Npt	1/8" Npt	Stainless



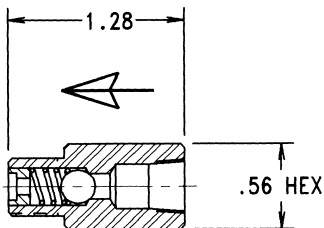
Part No.	Max Psi	Inlet	Outlet	Material
90104	8000	1/8" Npt	1/8" Npt	Steel
90103	8000	1/4" Npt	1/4" Npt	Steel
90112	8000	1/8" Npt	1/4" Npt	Steel
90296	8000	1/4" Npt	1/8" Npt	Steel
90105	8000	1/8" Npt	1/8" Npt	Stainless
90106	8000	1/4" Npt	1/4" Npt	Stainless
90297	8000	1/8" Npt	1/4" Npt	Stainless
90108	8000	1/4" Npt	1/8" Npt	Stainless



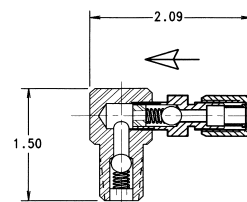
Part No.	Max Psi	Inlet	Outlet	Material
90033	8000	1/4" Tube	1/8" Npt	Steel
90101	8000	1/4" Tube	1/4" Npt	Steel
90034	8000	1/4" Tube	1/8" Npt	Stainless
90109	8000	1/4" Tube	1/4" Npt	Stainless



Part No.	Max Psi	Inlet	Outlet	Material
90107	8000	1/4" Tube	1/8" Npt	Steel
90102	8000	1/4" Tube	1/4" Npt	Steel
90110	8000	1/4" Tube	1/8" Npt	Stainless
90111	8000	1/4" Tube	1/4" Npt	Stainless

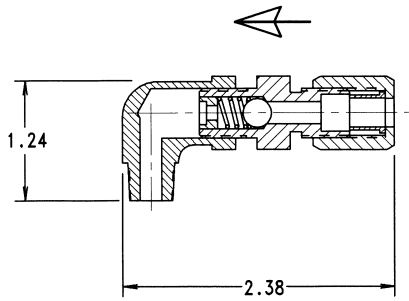


Part No.	Max Psi	Inlet	Outlet	Material
90501	3000	1/8" Npt	1/8" Npt	Steel

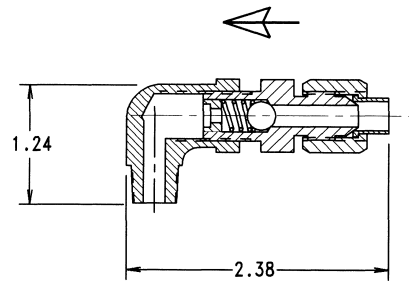


Part No.	Max Psi	Inlet	Outlet	Material
90731	3000	1/4" Tube	1/4" Npt	Steel

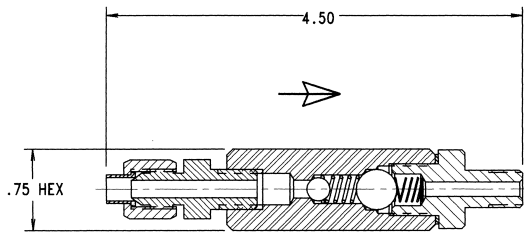
In addition to the pictured check valves, Premier manufactures other types and styles; call Premier with your requirements!



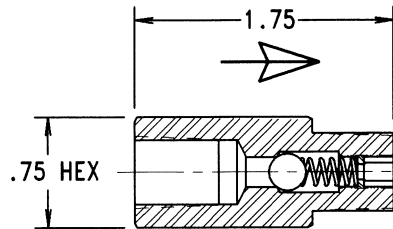
Part No.	Max Psi	Inlet	Outlet	Material
90040	3000	1/4" Tube	1/8" Npt	Steel
90329	3000	1/4" Tube	1/8" Npt	Stainless



Part No.	Max Psi	Inlet	Outlet	Material
90043	3000	1/4" Tube Flared	1/8" Npt	Steel



Part No.	Max Psi	Inlet	Outlet	Material
90287	6000	1/4" Tube Flared	1/8" Npt	Steel



Part No.	Max Psi	Inlet	Outlet	Material
90336	3000	1/4" Npt	1/4" Npt	Stainless

For Additional Information Contact:  
**Fred C. Gilbert Co.**  
 106 Norris Road  
 Bakersfield, Ca. 93308

Telephone (661) 399-9569  
 Fax (661) 393-9654  
[www.fcgilbert.com](http://www.fcgilbert.com)

In addition to the pictured Check Valves,  
 Premier manufactures other types and styles;  
 Call **PREMIER** with your requirements!