

DESCRIPTION

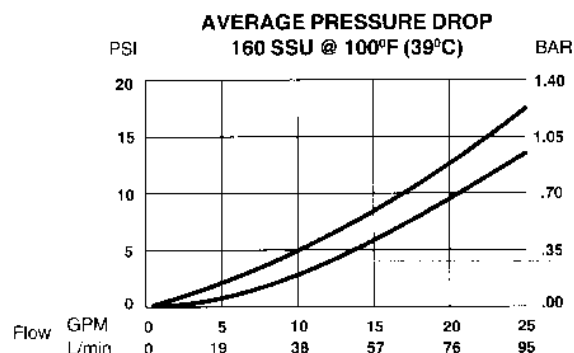
The Trabon Spin On Filter Assemblies incorporate inexpensive and easy maintenance filters for applications up to 20 GPM (76 L/min.). Trabon's Spin On Filter is designed to provide high flow capacity filtration for filling oil tanks. It can also be used for lower flow suction line applications and return lines. It is compatible with petroleum-based oil in mobile and industrial equipment. A mere 3/4" clearance is all that is needed for removal and replacement of the cartridge.

OPERATION

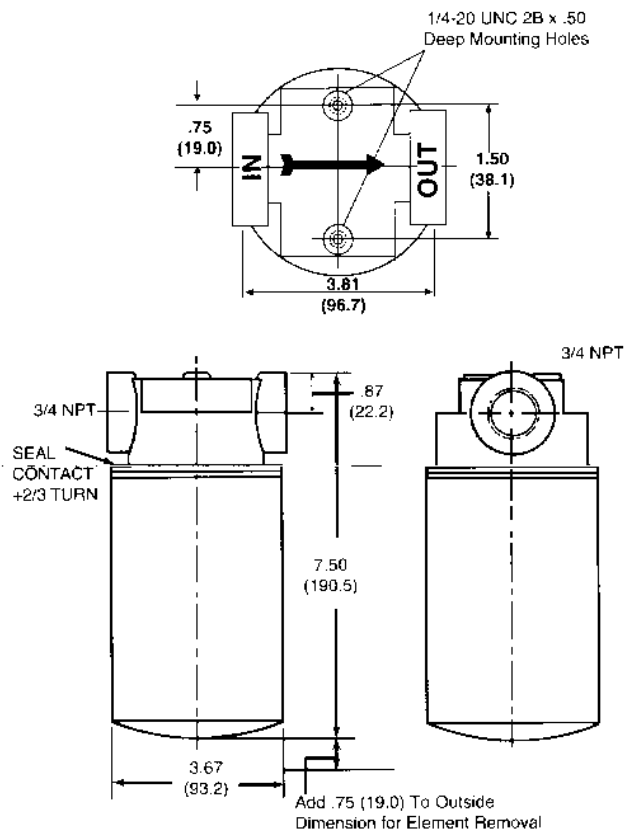
Dirty fluid enters the inlet port and permeates the filtering medium causing contaminants to be trapped on its outer surface. Clean fluid is then directed through the outlet port. The 10 micron unit with integral bypass valve protects the element against line surges and high differential pressure due to contamination.

SPECIFICATIONS

Operating Pressure	200 PSI (13.8 BAR)	Maximum
Operating Temperature	250°F (121°C)	Maximum
Standard Seals	Buna-N	
Element Area	450 in. ² (2903 cm ²)	
Beta Rating		
10 Micron	$B_{10} = 2.2$	
	$B_{20} = \text{Greater than } 100$	
25 Micron	$B_{30} = 4$	



25 Micron Spin On Filter Ass'y with External 150 PSI Relief (3/4" NPT)	473-000-275
25 Micron Spin On Filter Ass'y with External 150 PSI Relief (7/8-14 SAE)	473-000-282
Replacement Filter Canister	
10 Micron	473-000-262
25 Micron	473-000-276



ORDERING INFORMATION

Description	Part Number
10 Micron Spin On Filter Ass'y with Internal 25 PSI Bypass (3/4" NPT)	473-000-261
10 Micron Spin On Filter Ass'y with External 150 PSI Relief (3/4" NPT)	473-000-271

© Registered trademark of LUBRIQUIP, INC., A Unit of IDEX Corporation, Printed in U.S.A. © LUBRIQUIP, INC., A Unit of IDEX Corporation 1991 (Revised May 1996) All Rights Reserved