

Efficient, economical & easy-to-use manual pumps.

DESCRIPTION

Trabon Manual Pumps provide a simple, cost-effective way to operate manual oil or grease systems, to purge oil or grease systems and/or to test the performance of divider valves.

The basic pump is available in two sturdy, dependable models. Model 142-000-250 is for oil, and features a clear plastic reservoir. Model 142-000-450 is for grease, and has a metal reservoir. Its pump handle has a follower that indicates how much grease remains in the reservoir. Both models are very compact, measuring just 18 inches (457 mm) in length. Both deliver lubricant at full pressure at minimum stroke, making them especially effective when working in tight quarters.

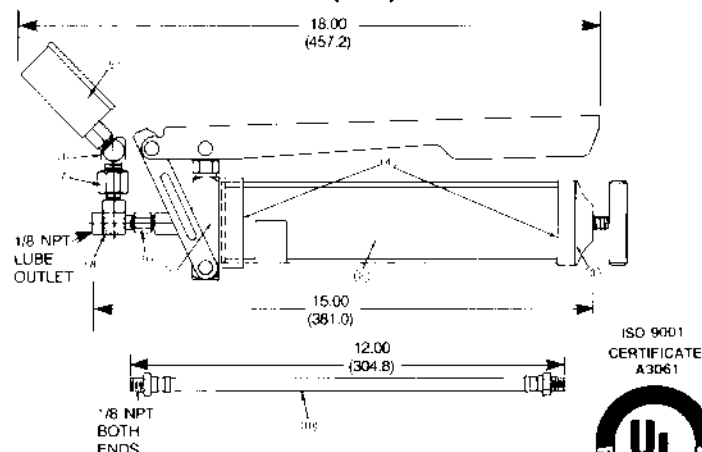
To simplify and speed lubrication of hard-to-get-at fittings, these pumps are provided with a 12-inch (305 mm) flexible hose that connects to the pump outlet and swings through a full 360°. This hose, with its 1/8-inch male ends, is directly adaptable to any indicator port on Trabon MSP and MJ divider valves for purging.

Both models are provided with a 0 to 3,000 psi pressure gauge that mounts on the pump.

FEATURES

- Steel pump body protects components against the hard knocks common to use of portable manual pumps.
- Excellent pump balance, compactness, and natural grip handle combine to make these pumps easy and less fatiguing to handle and use.
- Built-in automatic handle stop protects the pump's mechanical linkage, extends pump life.
- Extra-large piston assures full 3,000 psi (20,685 kPa) pressure, making these pumps compatible with an exceptionally wide range of systems.
- Reservoir capacity is one lb. (.453 kg) of grease or one pint (.4 liter) of oil. This means fewer stops to refill.
- Clear plastic reservoir on oil pump and follower on grease pump provide fast and easy checking; tell at a glance when it's time for refill.

DIMENSIONS/Inches (mm)



© LUBRIQUIP, INC., A Unit of IDEX Corporation 1972 (Revised September 1995). All Rights Reserved.

® Registered trademarks of LUBRIQUIP, INC., A Unit of IDEX Corporation.

LUBRIQUIP



MANUAL GREASE PUMP SHOWN

SPECIFICATIONS

| | |
|------------------------------------|--|
| Lubricant | Oil or grease |
| Rated Pressure | 3,000 psi (20,685 kPa) |
| Pump output per full handle stroke | 0.100 in ³ (1.6 cm ³) |
| Reservoir capacity | |
| Oil | 1 pint (0.4 liter) |
| Grease | 1 pound (0.453 kg) |
| Reservoir material | |
| Oil | Clear plastic |
| Grease | Metal |
| Pump body material | Steel |
| Net weight, approx. | |
| Oil pump | 3.0 lbs. (1.36 kg) |
| Grease pump | 4.5 lbs. (2.04 kg) |

MANUAL PUMP PARTS LIST

(Parts are common, unless noted, to both oil and grease pumps.)

| Description | Part Number | Drawing Ref. |
|---|-------------|--------------|
| Oil pump body assembly | 511-289-010 | 1 |
| Reservoir tube (oil pump only) | 511-290-001 | 2 |
| Pump body/reservoir assembly (grease pump only) | 543-034-000 | 1 & 2 |
| Reservoir cap (oil pump only) | 543-711-890 | 3 |
| Gasket (2 needed for oil pump) | 543-149-000 | 4 |
| Gasket (needed for oil pump) | 543-711-020 | Not Shown |
| Pressure gauge (0 to 3,000 psi) | 542-870-000 | 5 |
| 45° street elbow | 509-114-000 | 6 |
| Bushing | 412-330-200 | 7 |
| Service tee | 412-380-010 | 8 |
| Extension nipple | 509-028-000 | 9 |
| Hose assembly | 511-291-000 | 10 |
| Adapter (needed for oil pump) | 543-900-330 | Not Shown |

ORDERING INSTRUCTIONS

| | |
|--------------------|-------------|
| Manual Oil Pump | 142-000-250 |
| Manual Grease Pump | 142-000-450 |

Revised September 1995