

Series J5 Electronic Metering Pumps

Configuration

Model **J54D-152S**

Control & Output Code

Instrument Responsive/Manual Control
12 VDC powered pump. Speed (stroking frequency) and stroke length manually adjustable. Speed (stroking frequency) may be externally controlled for automatic systems.

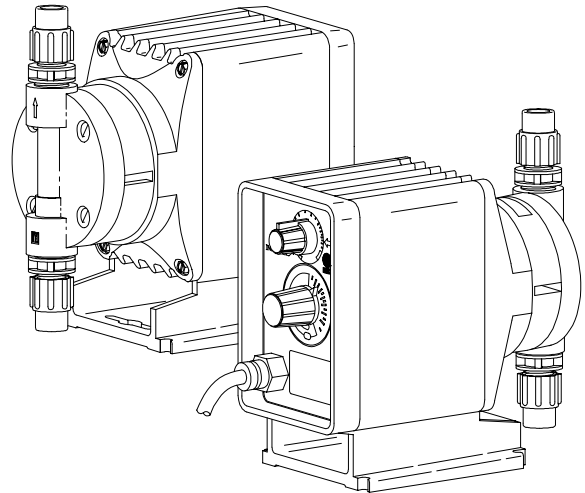
J54D - 1.6 l/h -- (0.42 GPH) ----- 9.7 Bar (140 psi)

J55D - 3.8 l/h -- (1.0 GPH) ----- 4.1 Bar (60 psi)

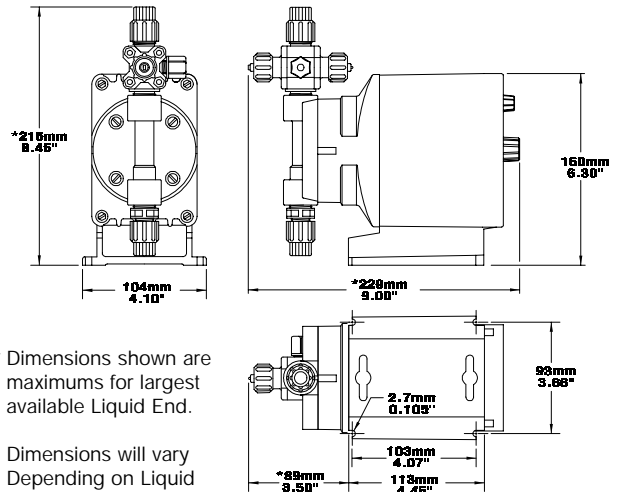
J56D - 7.6 l/h -- (2.0 GPH) ----- 1.4 Bar (20 psi)

Liquid End

See next page for complete liquid end specifications & selection.



Dimensions



* Dimensions shown are maximums for largest available Liquid End.

Dimensions will vary Depending on Liquid End selected.

Specifications

Series	Strokes per Minute (adjustable)		Stroke Length (adjustable) recommended minimum	Average Input Power @ Max Speed	Shipping Weight
	MIN	MAX			
J54D			30%		
J55D	5	100	20%	22 watts	3.5 kg (7.6 lbs)
J56D			20%		



Fred C. Gilbert Co.
106 Norris Road
Bakersfield, Ca. 93308
661-399-9569
fax 661-393-9654



Configuration Data & Materials of Construction

DRIVE ASSEMBLY	LIQUID END NO.	SIZE CODE	MATERIALS OF CONSTRUCTION				ACCESSORY	TUBING & CONNECTIONS
			HEAD & FITTINGS	BALLS	LIQUIFRAM™	SEAL RINGS		
J54D ■ -	151	0.5	Polypropylene	Ceramic	Fluorofilm™	Polyprel®		PE .250" O.D.
	151P	0.5	Polypropylene	Ceramic	Fluorofilm™	Polyprel®		Pipe 1/4" NPT M
	151S	0.5	Polypropylene	Ceramic	Fluorofilm™	Polyprel®	4FV	PE .250" O.D.
	152	0.5	PVDF	Ceramic	Fluorofilm™	Polyprel®		PE .250" O.D.
	152S	0.5	PVDF	Ceramic	Fluorofilm™	Polyprel®	4FV	PE .250" O.D.
	158	0.5	PVC	Ceramic	Fluorofilm™	Polyprel®		PE .250" O.D.
	158S	0.5	PVC	Ceramic	Fluorofilm™	Polyprel®	4FV	PE .250" O.D.

J55D ■ -	191	0.9	Polypropylene	Ceramic	Fluorofilm™	Polyprel®		PE .375" O.D.
	191S	0.9	Polypropylene	Ceramic	Fluorofilm™	Polyprel®	4FV	PE .375" O.D.
	192	0.9	PVDF	Ceramic	Fluorofilm™	Polyprel®		PE .375" O.D.
	192S	0.9	PVDF	Ceramic	Fluorofilm™	Polyprel®	4FV	PE .375" O.D.
	198	0.9	PVC	Ceramic	Fluorofilm™	Polyprel®		PE .375" O.D.
	198S	0.9	PVC	Ceramic	Fluorofilm™	Polyprel®	4FV	PE .375" O.D.

J56D ■ -	161	1.8	Polypropylene	Ceramic	Fluorofilm™	Polyprel®		PE .375" O.D. Discharge Vinyl .375" O.D. Suction
	161S	1.8	Polypropylene	Ceramic	Fluorofilm™	Polyprel®	4FV	PE .375" O.D. Discharge Vinyl .375" O.D. Suction
	162	1.8	PVDF	Ceramic	Fluorofilm™	Polyprel®		PE .375" O.D.
	162S	1.8	PVDF	Ceramic	Fluorofilm™	Polyprel®	4FV	PE .375" O.D.
	168	1.8	PVC	Ceramic	Fluorofilm™	Polyprel®		PE .375" O.D.

■ See front page for voltage code specifications.

4-FV indicates that the pump is equipped with an LMI Four Function Valve. This diaphragm type anti-syphon/pressure relief valve is installed on the pump head. It provides anti-syphon protection and aids in priming even under pressure.

All liquid ends listed above except LE-151P are available with UV resistant tubing for outdoor installations. To order a pump with UV resistant tubing, add a U to the end of the liquid end number, i.e. LE-151SU.

Fluorofilm™ is a copolymer of PTFE and PFA. Polyprel® is an elastomeric PTFE copolymer. Fluorofilm™ is a trademark of Liquid Metronics, Inc. Polyprel® is a registered trademark of Liquid Metronics, Inc.

Output Information

Series	Liters per Hour		Gallons per Hour		mL/cc per minute		mL/cc per Stroke		Maximum Injection Pressure
	MIN	MAX	MIN	MAX	MIN	MAX	MIN	MAX	
J54D*	0.024	1.6	0.006	0.42	0.40	27	0.08	0.27	9.7 Bar (140 psi)
J55D*	0.038	3.8	0.010	1.0	0.63	63	0.13	0.63	4.1 Bar (60 psi)
J56D*	0.076	7.6	0.020	2.0	1.27	127	0.25	1.27	1.4 Bar (20 psi)

* Minimum output can be reduced to zero (0) when in external mode.