

SV9 SERIES

RELIEVING WITH RETAINED PLUG



VACUUM SEAL-OFF VALVES AND VALVE OPERATORS

Features

- Vacuum Tight Seal
- Tamper Resistant
- Easy Access to Vacuum
- Functional & Reliable
- Full Flow Design
- Low Profile & Compact Design

Applications

- High Vacuum Tanks
- High Vacuum Dewars
- Low Pressure Gas Systems
- Vacuum Insulated Cryogenic Piping Systems
- Cold Box Vacuum Systems
- Infrared Optical Devices

Connection

ValveButt Weld

OperatorISO Flange or Tube

Valve Size

1/4" to 1"



Technical Data

Operating Ranges

Temperature-20°F to +150°F;
-29°C to +66°C

Relief Pressure3 to 9 PSIG

Materials of Construction

Body300 Series S/S or
6061 Aluminum

O-RingsViton®

Plug300 Series S/S

CapPlastic PVC

Retainer300 Series S/S

Tests

Seat LeakageMass spec. less than
 1×10^{-9} scc GHe/sec
(Exclusive of O-ring
Permeability) at
Ambient Temp.

SV9 SERIES

RELIEVING WITH RETAINED PLUG

How To Order

SV9 - 088 - 1

BASIC MODEL NUMBER

SV9 Series

CONSTRUCTION

- 1 - 6061 Aluminum
- 5 - 300 Series Stainless Steel

VALVE SIZE

- 082 - 1/4" - 4 TO 8 PSIG
- 084 - 1/2" - 5 TO 9 PSIG
- 086 - 3/4" - 4 TO 8 PSIG
- 088 - 1" - 3 TO 7 PSIG

Valve Operators used in conjunction with valves during pumping operation:

VO8 - 088 T

VALVE OPERATOR

VO8 Series

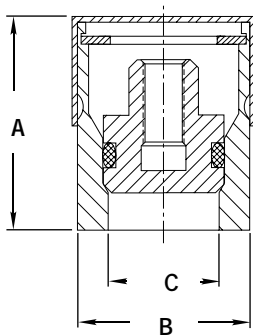
*VACUUM PUMP CONNECTION

- T - OD Tube
- F - ISO Flange
- 1/4" & 1/2" = DN16,
- 3/4" & 1" = DN25

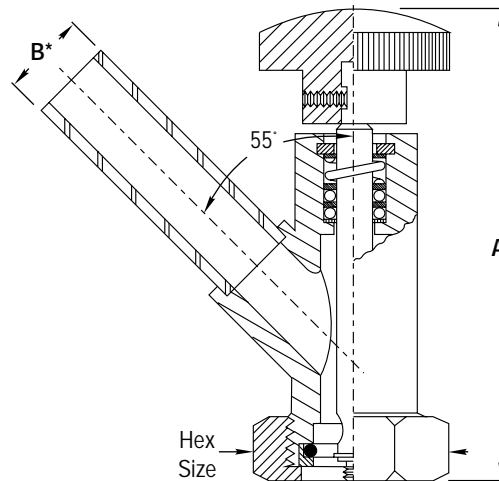
OPERATOR SIZE

- 082 - 1/4"
- 084 - 1/2"
- 086 - 3/4"
- 088 - 1"

Dimensions



1/4" & 1/2" sizes contain only one O-ring as shown above.
3/4" & 1" sizes contain two O-rings.



SV8 SERIES VALVE DIMENSIONS

Part No.	A	B	C
SV9-082-	.59	.38	.19
SV9-084-	.76	.62	.40
SV8-086-	.96	.88	.65
SV8-088-	1.13	1.19	.84

VO8 SERIES OPERATORS
STAINLESS STEEL DIMENSIONS

Part No.	A	B*	Size
VO8-082-	3.2	.375	3/4"
VO8-084-	3.5	.625	1-3/16"
VO8-086-	5.0	.875	1-1/2"
VO8-088-	5.0	1.12	1-3/4"

*Optional ISO Flange