



EC4 SERIES

0 - 400 PSIG



EXTENDED STEM CRYOGENIC SHUTOFF VALVES MANUAL OR AUTOMATIC

Technical Data

Operating Ranges

Temperature-456°F to +300°F
-283°C to +149°C

Max. Operating Pressure 400 PSIG

Materials of Construction

All Major Structural Components are 300 Series Stainless Steel.

BonnetStainless Steel

SeatKel-F

PackingTeflon® or Graphite

Redundant SealViton®

GasketGlass Filled Teflon®

Tests

External LeakageMass spec. to
1x10⁻⁹scc GHe/sec

Seat LeakageBubble Tight to 400 PSIG

Proof Pressure600 PSIG

Valve Size

1/4" to 2" (Standard)

3" and 4" Available on request

Features

- All Stainless Steel Construction
- Bubble Tight Shutoff
- Redundant Packing Seals
- Non-galling Stem Threads
- Self Centering Plug Seal
- Quality Investment Cast Body for High Flow Values
- Easy Inline Maintenance
- Socket Weld Ends

Applications

- Cryogenic Storage Tanks
- Cryogenic Transportation Trailers
- Cryogenic Vacuum Piping and Point-of-Use Shutoff

Options

- Socket Weld Ends
- Special Ends on Request
- Globe Body or Right Angle Body
- Automatic Control Valve Option

The EC4 is a new, upgraded version of the EC2 valve. Most parts are interchangeable with the body assembly. Consult factory for details regarding the union bonnet nut size variations for 1/4" to 1" size.

EC4 SERIES

0 to 400 PSIG

How To Order

EC4 - 088 - C WPG 1 M - TW

BASIC MODEL NUMBER EC4 Series

VALVE SIZE

- 082 - 1/4"
- 084 - 1/2"
- 086 - 3/4"
- 088 - 1"
- 812 - 1 1/2"
- 816 - 2"

CLEANING

- O - Oxygen (per 216-2 specification)
- C - Standard

CONFIGURATION

- WPG - Pipe Size, Globe
- WPR - Pipe Size, 90° Angle Pattern

SPECIAL ADD ON

- TW - Complete Top Works Kit ONLY:
- SG - Soft Goods Kit ONLY:
 - Packing
 - Gasket
 - Seat
 - O-rings

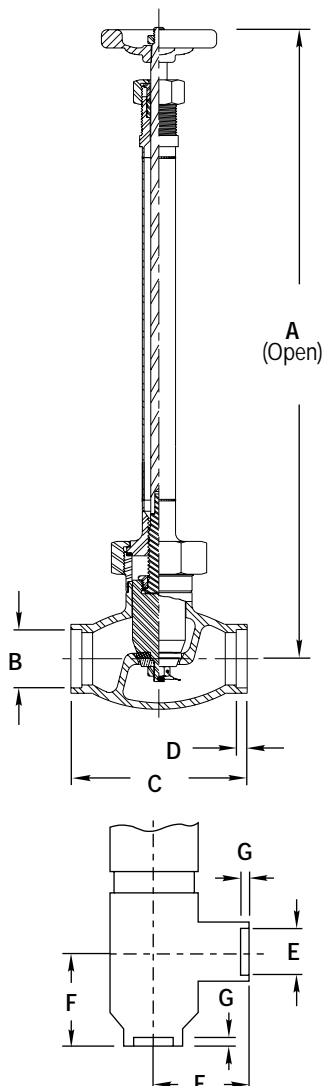
TOP WORKS

- M - Manual
- A - Automatic Valve without Actuator:
- B - Automatic Valve with AutoSeal
- E - Automatic Valve with AutoSeal and Control Tip - EQ%
- L - Automatic Valve with AutoSeal and Control Tip - Linear

PACKING

- 1 - Teflon®
- 6 - Graphite

Dimensions



Globe Pattern

Bonnet	IPS Size	Assembly Part Number	A	B	C	D	C _v	WTS. (Lbs.)
Union (As Shown)	1/4"	EC4-082-CWPG	14.5	.55	3.06	.25	2.5	2
	1/2"	EC4-084-CWPG	14.5	.85	2.53	.25	5.9	5
	3/4"	EC4-086-CWPG	14.0	1.06	3.52	.25	8.0	7
	1"	EC4-088-CWPG	15.0	1.32	4.00	.25	14.0	10
Flanged (Not Shown)	1 1/2"	EC4-812-CWPG	18.12	1.90	4.25	.25	34	18
	2"	EC4-816-CWPG	21.25	2.38	5.00	.25	50	24

Angle Pattern

Bonnet	IPS Size	Assembly Part Number	A	B	C	D	C _v	WTS. (Lbs.)
Union (As Shown)	1/4"	EC4-082-CWPG	11.12	.55	1.50	.25	3.4	2
	1/2"	EC4-084-CWPG	11.12	.85	1.50	.15	8.0	5
	3/4"	EC4-086-CWPG	12.25	1.06	1.50	.25	10.0	7
	1"	EC4-088-CWPG	13.50	1.32	1.87	.25	17.0	10
Flanged (Not Shown)	1 1/2"	EC4-812-CWPG	17.0	1.91	2.12	.25	41	17
	2"	EC4-816-CWPG	19.5	2.38	2.50	.25	60	23

Available from factory are tube end configurations, OS & Y topworks and a complete line of automatic valves with pneumatic actuators. Consult factory for part numbers and dimensions.