



CV3 SERIES

0 - 275 PSIG



CRYOGENIC VACUUM JACKETED SHUTOFF VALVES

Technical Data

Operating Ranges

Temperature-456°F to +300°F
-283°C to +149°C

Max. Operating Pressure 275 PSIG

Heat Leak4.5 BTU/Hr to
20°K (1.3 watts)

Materials of Construction

All Major Structural Components are 300 Series Stainless Steel.

BonnetBrass/Nickel Plated

SeatKel-F

Packing & SealsTeflon®

GasketGlass Filled Teflon®

Tests

External LeakageMass spec. to
1x10⁻⁹scc GHe/sec

Seat LeakageBubble Tight to
150 PSIG

Proof Pressure300 PSIG

Valve Size

1/2"

Features

- Vacuum Jacketed (Insulated with Four Layers of Radiation Shielding)
- Bubble Tight Shutoff
- Redundant Packing Seals
- Compact Size
- High Efficiency
- Self Centering Plug
- Low Initial Cost
- Easy Inline Maintenance
- Butt Weld Ends

Applications

- Cryogenic Storage Tanks
- Cryogenic Transportation Trailers
- Cryogenic Vacuum Jacketed Transfer Systems (Point of Use Shutoff)

Options

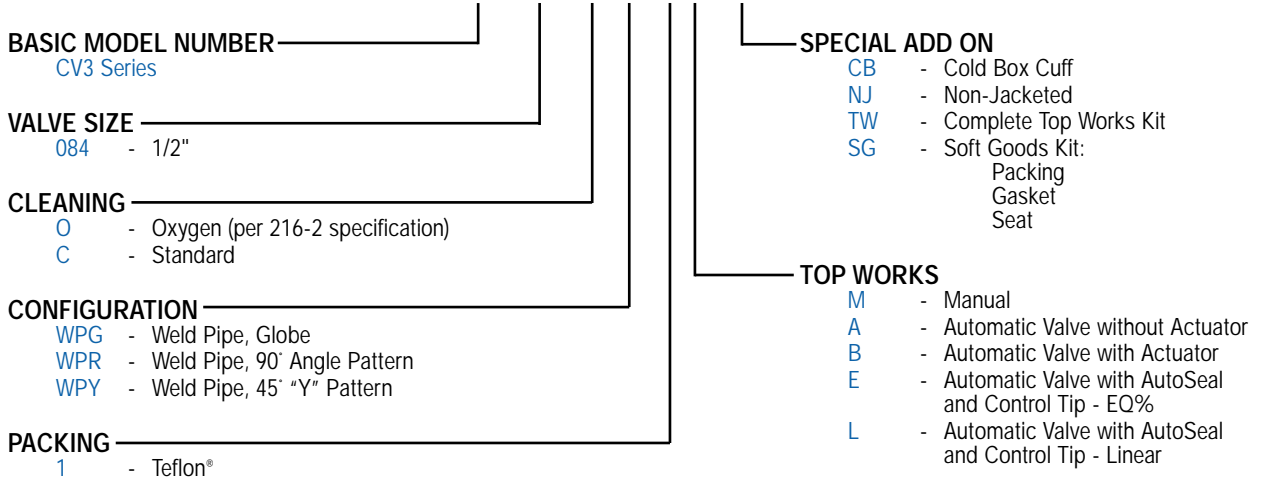
- Cold Box Cuff
- Ported Bonnet (Overseat Purge)
- Pneumatic and Electric Actuators
- Positioners & Position Indicators
- Limit Switches
- Non-Jacketed

CV3 SERIES

0 to 275 PSIG

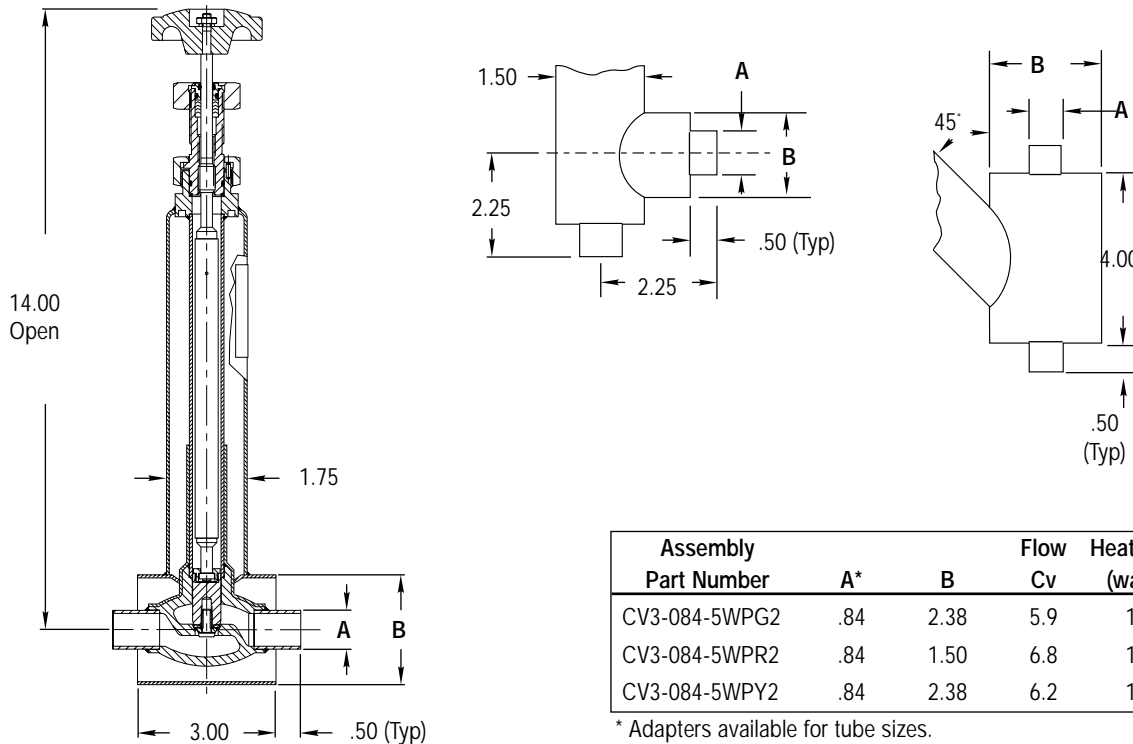
How To Order

CV3 - 084 - C WPG 1 M - NJ



Valve comes with quick opening plug unless otherwise specified.

Dimensions & Performance Data



Assembly Part Number	A*	B	Flow Cv	Heat Leak (watts)
CV3-084-5WPG2	.84	2.38	5.9	1.3
CV3-084-5WPR2	.84	1.50	6.8	1.3
CV3-084-5WPY2	.84	2.38	6.2	1.3

* Adapters available for tube sizes.