

HPR50 SERIES

INLET 0 - 10,000 PSIG OUTLET 40 - 10,000 PSIG

How To Order

HPR50 T 1 1 N

BASIC PART NUMBER & OUTLET PRESSURE RANGE

- HPR50 - 150 to 1500 PSIG (10 to 103 BAR)
- HPR51 - 300 to 3000 PSIG (20 to 206 BAR)
- HPR52 - 600 to 6000 PSIG (40 to 414 BAR)
- HPR53 - 1000 to 10,000 PSIG (69 to 690 BAR)
- HPR54 - 40 to 400 PSIG (2.7 to 28 BAR)

BODY MATERIAL

- B - Brass
- T - 303 Stainless Steel
- U - 316 Stainless Steel

OPTIONS

- N - 316 Stainless Steel Panel Nut

SEAL MATERIAL

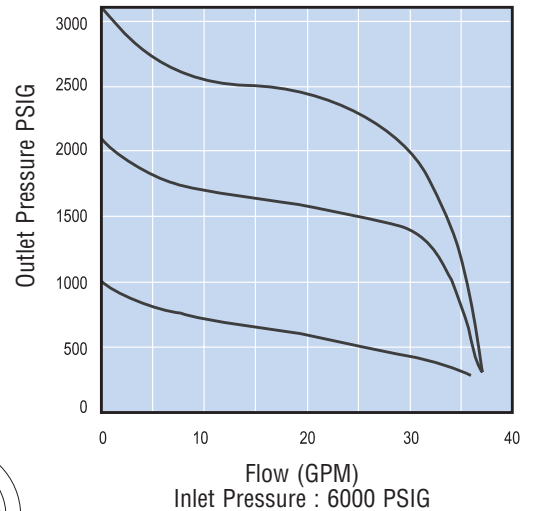
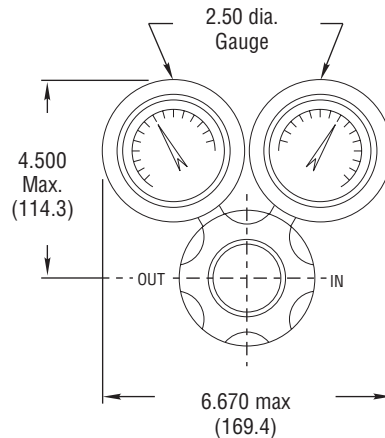
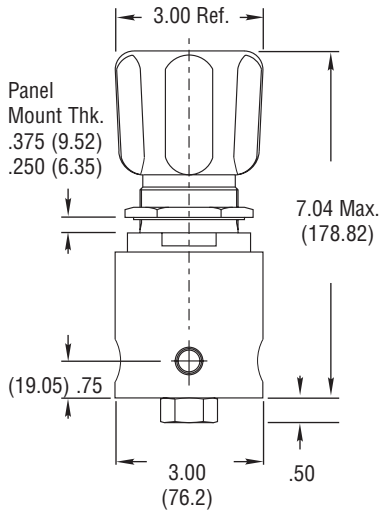
- 0 - Ethylene Propylene
- 1 - Neoprene
- 3 - Viton®
- 4 - Buna N

INLET & OUTLET PORTS

- 1 - 1/4" NPT
- 2 - 1/2" NPT
- 3 - 1/2" Tube (MS33649-8)
- 4 - 1/2" British Parallel Pipe (Vent Port: 1/4" BSPP) (Gauge Ports: 1/4" BSP)

Please consult your Circle Seal Controls Distributor, Representative or our factory for information on special connections, operating pressures and temperature ranges. Viton® is a registered trademark of DuPont Dow Elastomers.

Dimensions, Gauges & Typical Flow Curves



 **CIRCLE SEAL CONTROLS, INC.**
A division of CIRCOR International, Inc.

Certified to ISO 9001