

R5200 SERIES

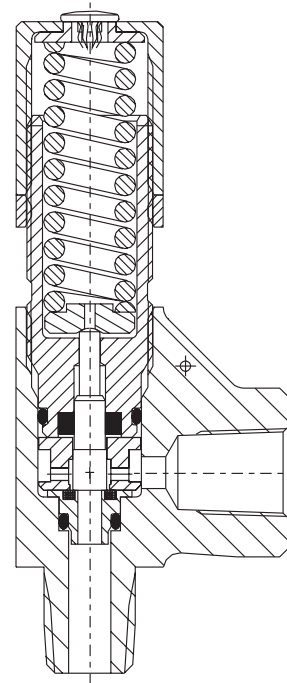
50 - 4,500 PSI

Fred C. Gilbert Co.
106 Norris Road
Bakersfield, Ca. 93308
661-399-9569
fax 661-393-9654

ADJUSTABLE RIGHT ANGLE RELIEF VALVES

Features

- Zero-Leak
- External Adjustment
- Optional Factory Pre-set
- Accurate Set Pressure
- 4 Springs to Cover Entire Pressure Range
- 100% Seat Leakage Tested
- 316 Stainless Steel or Brass Construction
- Stainless Steel Internal Construction
- All Internal Parts Interchangeable
- NPT and Instrument (Double Ferrule) Fittings
- Lockwire Capability Standard
- Teflon® Cap Seal



Technical Data

Materials of Construction

Body — 316 Stainless Steel or Brass
Spring — 17-7 Ph Stainless Steel
Seals — Viton® Standard

Temperature Range

-65°F to +400°F; -54°C to +204°C

Teflon® and Viton® are registered trademarks of DuPont.

Pressure Ratings

Brass — 50 to 4000 PSIG
St. Steel — 50 to 4500 PSIG

Port Size

1/4" to 3/8"

R5200 SERIES

50 - 4,500 PSI

How To Order

M R5233 B - 2MP - 1

MANUAL OVERRIDE _____

BASIC PART NUMBER _____

SEALS 33 - Neoprene (-40°F to +400°F)
 52 - Viton® (-20°F to +400°F) - Standard
 59 - Buna N (-65°F to +275°F)
 62 - EPR (-65°F to +300°F)

BODY T1 - 316 Stainless Steel
 B - Brass

SPRINGS 0 - None
 1 - 50 - 499 PSIG
 2 - 500 - 1999 PSIG
 3 - 2000 - 3999 PSIG
 4 - 4000 - 4500 PSIG (SS only)

PORT SIZE Inlet Outlet
 2MP - 1/4 Male NPT 1/4 Female NPT
 3MP - 3/8 Male NPT 3/8 Female NPT
 2M4C - 1/4" Male NPT 1/4" Instr. Fitting
 4CC* - 1/4" Instr. Fitting 1/4" Instr. Fitting
 *CC connections are double ferrule tube.

Note: Cracking pressure is only sensitive to inlet pressure and is not affected by outlet pressure. Please consult your Circle Seal Controls Representative or our factory for information on special connections, operating pressures and temperature ranges.

Spring Kits

Contains Spring & Label

Spring #	Pressure
37256 - 1	50 - 499 PSIG
- 2	500 - 1999 PSIG
37256 - 3	2000 - 3999 PSIG
- 4	4000 - 4500 PSIG (R52XXTI only)

Manual Override Kit

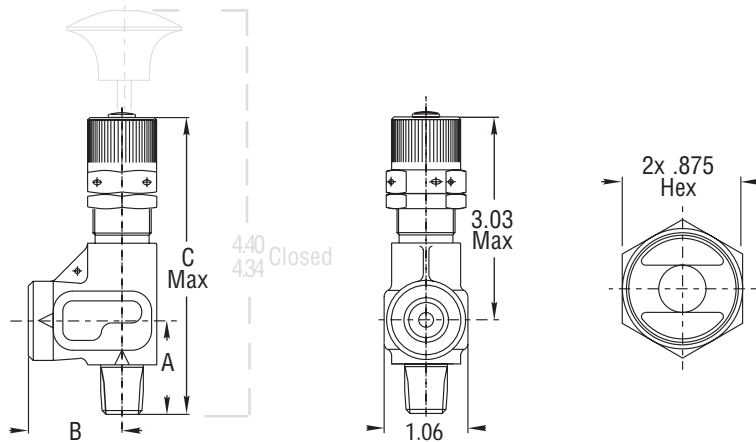
23013

Seal Kits

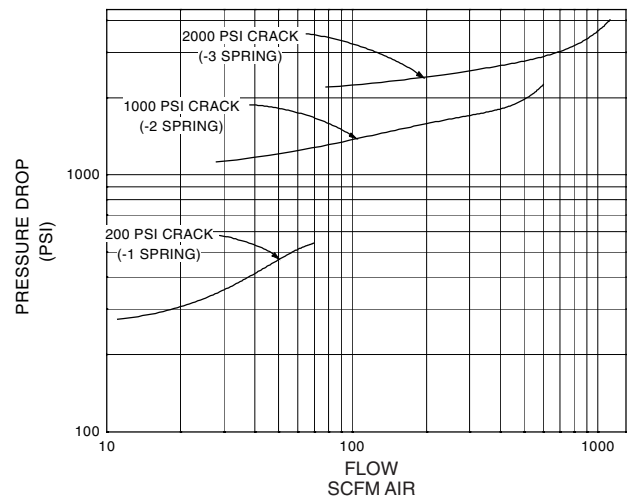
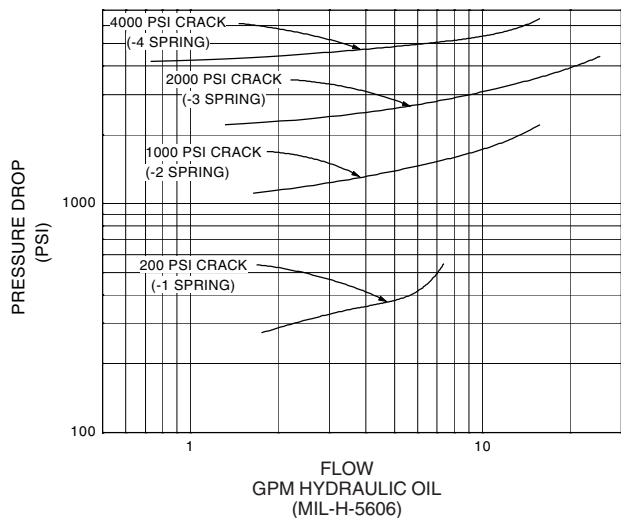
K/R5233	Neoprene
K/R5252	Viton®
K/R5259	Buna N
K/R5262	EPR

Dimensions

Model No.	A	B	C
-2MP	1.19	1.19	4.35
-3MP	1.19	1.19	4.35
-2M4C	1.19	1.59	4.35
-4CC	1.44	1.59	4.60



Flow Curves



 **CIRCLE SEAL CONTROLS, INC.**
 A division of CIRCOR International, Inc.
 Certified to ISO 9001