

PVR SERIES

Inlet 0 to 3,000 PSIG & Outlet 2" H₂O to 60 PSIG



LOW PRESSURE REGULATOR

Fred C. Gilbert Co.
106 Norris Road
Bakersfield, Ca. 93308
661-399-9569
fax 661-393-9654

Features

- Low Outlet Pressure Ranges
- Exceptional Accuracy & Response
- Compatible with Corrosive and Non-corrosive Gases & Liquids

Applications

- Chromatography
- Process Stream Sampling
- Bubbling Operations
- Medical Instrumentation
- Research Laboratories
- Instrument Calibration

Technical Data

Materials of Construction

Body	– Polyvinyl Chloride
Spring Housing:	
PVR-1, 2 & 3	– Polyvinyl Chloride
PVR-4 & 5	– Aluminum Alloy
Seat	– Kel F with Synthetic Sapphire Ball Poppet
Diaphragm	– Teflon®
Adjustment Screw	– Delrin
Lock Nut	– Aluminum Alloy
Trim	– 316 SS or Monel

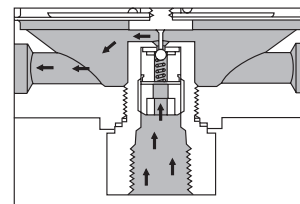
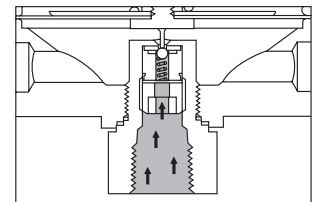
Port Size & Connections

1/4" Female Pipe

How It Works

CLOSED

With the poppet against the seat, full upstream pressure is applied to the poppet effecting a bubble tight seal.



REGULATING

As the downstream process demands flow, the pressure acting on the bottom of the diaphragm decays, allowing the adjusting spring force to push the poppet down. This in turn unseats the

poppet allowing flow to begin and pressure under the diaphragm to increase until balance is achieved between adjusting spring force and downstream pressure. This condition continues until process ceases. At this point, increasing pressure overcomes spring force, moving diaphragm up and allowing the poppet to close.

Pressure Ratings

Inlet – 3,000 PSIG (207 BAR)

Outlet – 2" H₂O to 60 PSI (4 BAR), 5 Ranges

Temperature Range

0°F to +125°F;
-18°C to +46°C

Flow Capacity

C_v = 0.011 Max.
ESEOD = 0.025"

Weight

PVR-1, 2 & 3 – 14 oz.; PVR-4 & 5 – 1.5 lbs.

Leakage

Bubble Tight

Sensitivity

Less than 1/2 PSI on all ranges over 2 PSI



CIRCLE SEAL CONTROLS, INC.

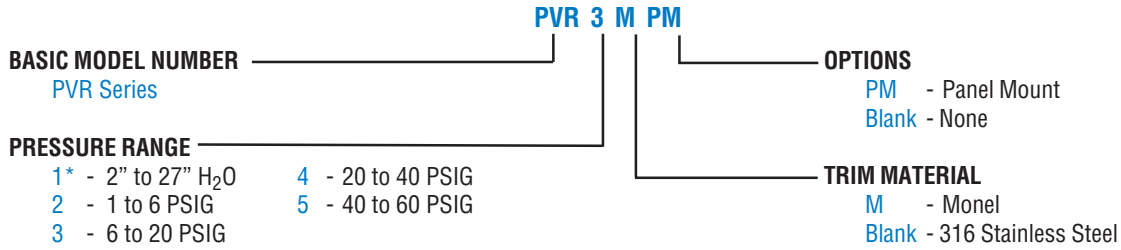
A division of CIRCOR International, Inc.

Certified to ISO 9001

PVR SERIES

Inlet 0 to 3,000 PSIG & Outlet 2" H₂O to 60 PSIG

How To Order



Note:

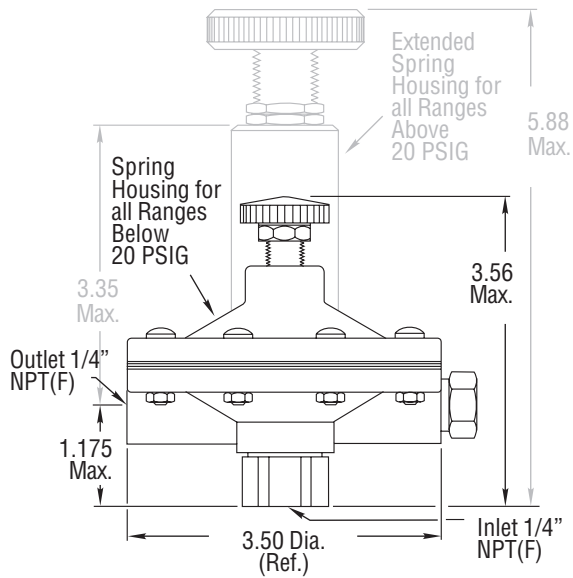
If this regulator is to be used in oxygen service, specify "GENERAL OXYGEN SERVICE" when ordering or furnish the factory a copy of the special requirements.

*27" H₂O model not recommended for dead end service.

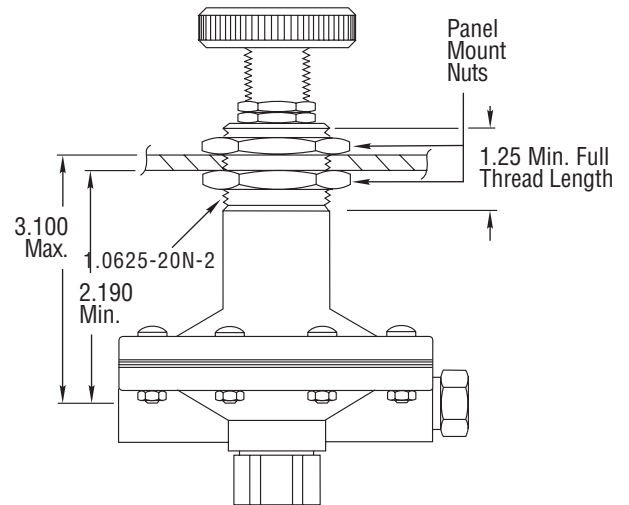
Please consult your Circle Seal Controls Distributor, Representative or the factory for information on special connections, operating pressures and temperature ranges.

Teflon® is a registered trademark of DuPont.

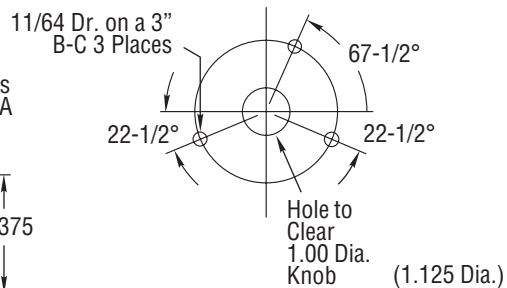
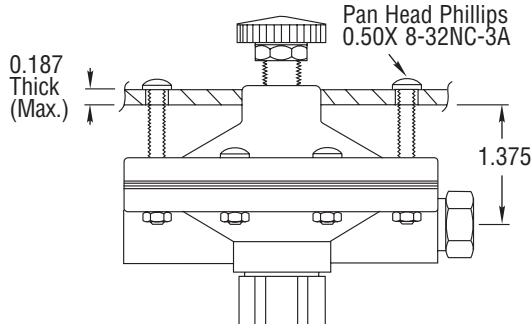
Dimensions



Panel Mounting for PVR-4 & 5



Panel Mounting for PVR-1, 2 & 3



 **CIRCLE SEAL CONTROLS, INC.**
A division of CIRCOR International, Inc.

Certified to ISO 9001