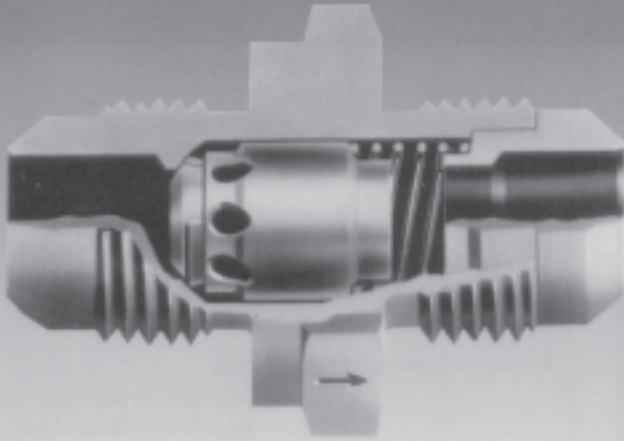


# 2600 SERIES

0 to 3,000 PSIG



## CHECK VALVES

Fred C. Gilbert Co.  
106 Norris Road  
Bakersfield, Ca. 93308  
661-399-9569  
fax 661-393-9654

### Features

- Zero Leakage
- 2600 Series Meets Package Requirements of MS24423 & Functional Requirements of MIL-V-25675 (2620T Series)
- Quick Opening-Positive Closing
- Maintenance-Free Dependability

### Technical Data

#### Materials of Construction

- Body – 303 Stainless Steel or Aluminum  
Spring – 302 Stainless Steel  
O-Rings – Buna N, Neoprene, Teflon®  
or Viton®

#### Pressure Ratings

Operating Pressure:

Aluminum – 0 to 3,000 PSIG (207 BAR)

St. Steel – 0 to 3,000 PSIG (207 BAR)

Min. Burst Pressure:

3 x Max. Opr. Pressure (Room Temp.)

2-1/2 x Max. Opr. Pressure

(At Max. Rated Temp.)

#### Temperature Range

-100°F to +400°F;

-73°C to +204°C

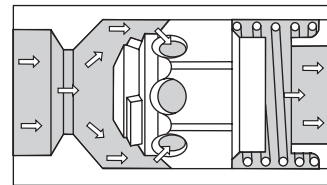
Based On O-Ring &

Body Material, See Page 2

#### Valve Sizes

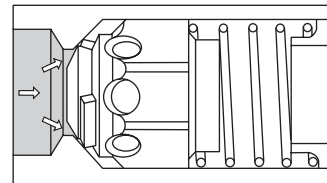
1/4" to 1"

### How It Works



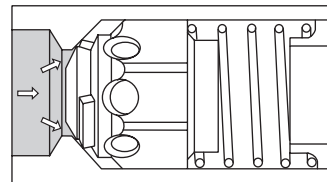
#### OPEN

Flow passes smoothly through valve with minimum turbulence. Flow characteristics meet or exceed the requirements of MIL-V-25675.



#### CLOSING

Seal automatically established line of contact with conical seat to cushion closing and insure perfect sealing.



#### CLOSED

Sealing member only seals. Full pressure is carried by metal-to-metal seat. Increasing pressure increases efficiency.



**CIRCLE SEAL CONTROLS, INC.**

A division of CIRCOR International, Inc.

Certified to ISO 9001

# 2600 SERIES

0 to 3,000 PSIG

## How To Order

P 26 77 A - 4TT - 5

### VARIATION

**P** - Use where high surges are encountered and elastomeric seals are required.

### BASIC MODEL NUMBER

2600 Series

### O-RING MATERIAL &

#### OPERATING TEMPERATURE RANGES

**73** - Neoprene -40°F to 300°F  
**77** - Buna N -40°F to 250°F  
**20** - Teflon® -100°F to 400°F  
**32** - Viton® -20°F to 400°F

### BODY MATERIAL

**A** - 2024-T4/T351 Aluminum (limited to 200°)  
**T** - 303 Stainless Steel (limited to 450°)

### Notes:

Leakage - From zero pressure differential to max. operating pressure - zero

Exception: If Teflon® O-ring is used in Aluminum body with gases, from 75 psi pressure differential to max. operating pressure: 2620A - 1cc/min. 2620T - zero

Teflon® and Viton® are registered trademarks of DuPont.

### CRACKING PRESSURE

Call Out Dash Number if Not Standard  
**5** - 5 PSIG\*

### CONNECTIONS

**T** - Male Tube, AS4395 (MS33636)  
**E** - Flareless Male Tube, MS33514

### VALVE SIZE

**4** - 1/4" AS4395, MS33656 & MS33514  
**6** - 3/8" MS33656 & MS33514  
**8** - 1/2" MS33656 & MS33514  
**12** - 3/4" MS33656 & MS33514  
**16** - 1" MS33656 & MS33514

\* Standard based on seal material.  
 Buna N, Neoprene, Viton® - 2 PSIG  
 Teflon® - 5 PSIG Max. (2 to 5 PSIG with liquid)

Please consult your Circle Seal Controls Representative or our factory for information on special connections, operating pressures and temperature ranges.

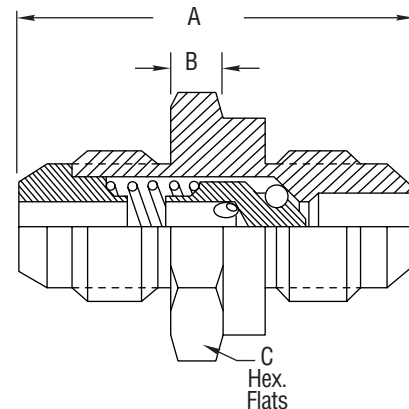
## End Connections, Dimensions & Weights

### 2600 SERIES, MS33514 CONNECTIONS

Model Number	Size	A	B	C	Weight In Lbs.	
					Alum.	S.S.
4EE	1/4"	1.34	.219	.688	.02	.05
6EE	3/8"	1.41	.250	.813	.03	.07
8EE	1/2"	1.62	.281	1.000	.05	.13
12EE	3/4"	1.94	.343	1.375	.12	.36
16EE	1"	2.44	.375	1.625	.18	.52

### 2600 SERIES, MS33656 CONNECTIONS

Model Number	Size	A	B	C	Weight In Lbs.	
					Alum.	S.S.
4TT	1/4"	1.54	.219	.688	.02	.05
6TT	3/8"	1.58	.250	.813	.03	.08
8TT	1/2"	1.81	.281	1.000	.05	.14
12TT	3/4"	2.29	.343	1.375	.13	.38
16TT	1"	2.88	.375	1.625	.19	.55



 **CIRCLE SEAL CONTROLS, INC.**

A division of CIRCOR International, Inc.

Certified to ISO 9001