



# 2100 & 2800 SERIES

0 to 3,000 PSIG

## How To Order

**2199 A - 4TT - 5**

**BASIC MODEL NUMBER**  
 21 - 2100 Series  
 28 - 2800 Series

**O-RING MATERIAL & TEMPERATURE RANGE**  
 49 - Buna N -40° to +250°F  
 33 - Neoprene -40° to +300°F  
 20 - Teflon® -100° to +400°F  
 32 - Viton® -20° to +400°F

**MATERIAL**  
 A - 2024-T4/T351 Aluminum  
 T - 303 Stainless Steel

**CRACKING PRESSURE**  
 Call Out Dash Number if Not Standard \*  
 5 - 5 PSIG

**CONNECTIONS**  
 See Tables Below

**VALVE SIZE**  
 Tube sizes in 1/16" Increments

\* Standard based on seal material.  
 Buna N, Neoprene - 2 to 4 PSIG  
 Teflon® - 8 PSIG Max.  
 Viton® - .5 to 1 PSIG

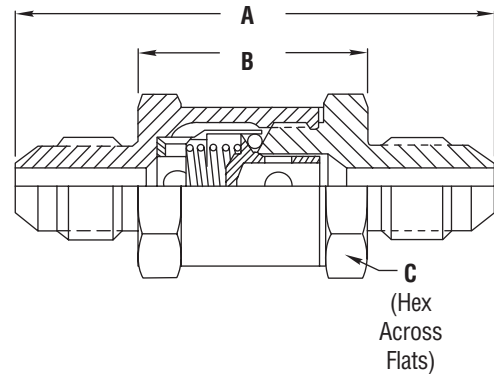
Teflon® and Viton® are registered trademarks of DuPont.

Please consult your Circle Seal Controls Representative or our factory for information on special connections, operating pressures and temperature ranges.

## End Connections, Dimensions & Weights

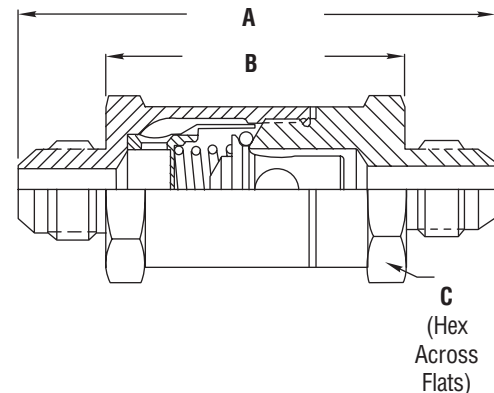
### 2100 SERIES, MALE TUBE — AS4395 (MS 33656)

Model Number	Size	A	B	C	Weight In Lbs.	
					Alum.	S.S.
3TT	3/16"	1.90	.94	.562	.025	.100
4TT	1/4"	2.10	1.00	.688	.035	.125
6TT	3/8"	2.36	1.25	.813	.057	.200
8TT	1/2"	3.06	1.75	1.063	.131	.375



### 2800 SERIES, MALE TUBE — AS4395 (MS 33656)

Model Number	Size	A	B	C	Weight In Lbs.	
					Alum.	S.S.
4TT	1/4"	2.63	1.53	.688	.054	.18
6TT	3/8"	2.86	1.75	.813	.080	.23
8TT	1/2"	3.53	2.22	1.063	.170	.43
12TT	3/4"	4.48	2.75	1.500	.390	1.11
16TT	1"	5.13	3.31	1.750	.570	1.74



A division of CIRCOR International, Inc.

Certified to ISO 9001